

# Quick Start Guide

**ACC410-E/LA**

**Amber Covert C410-E/LA**

GNSS Vehicle Terminal

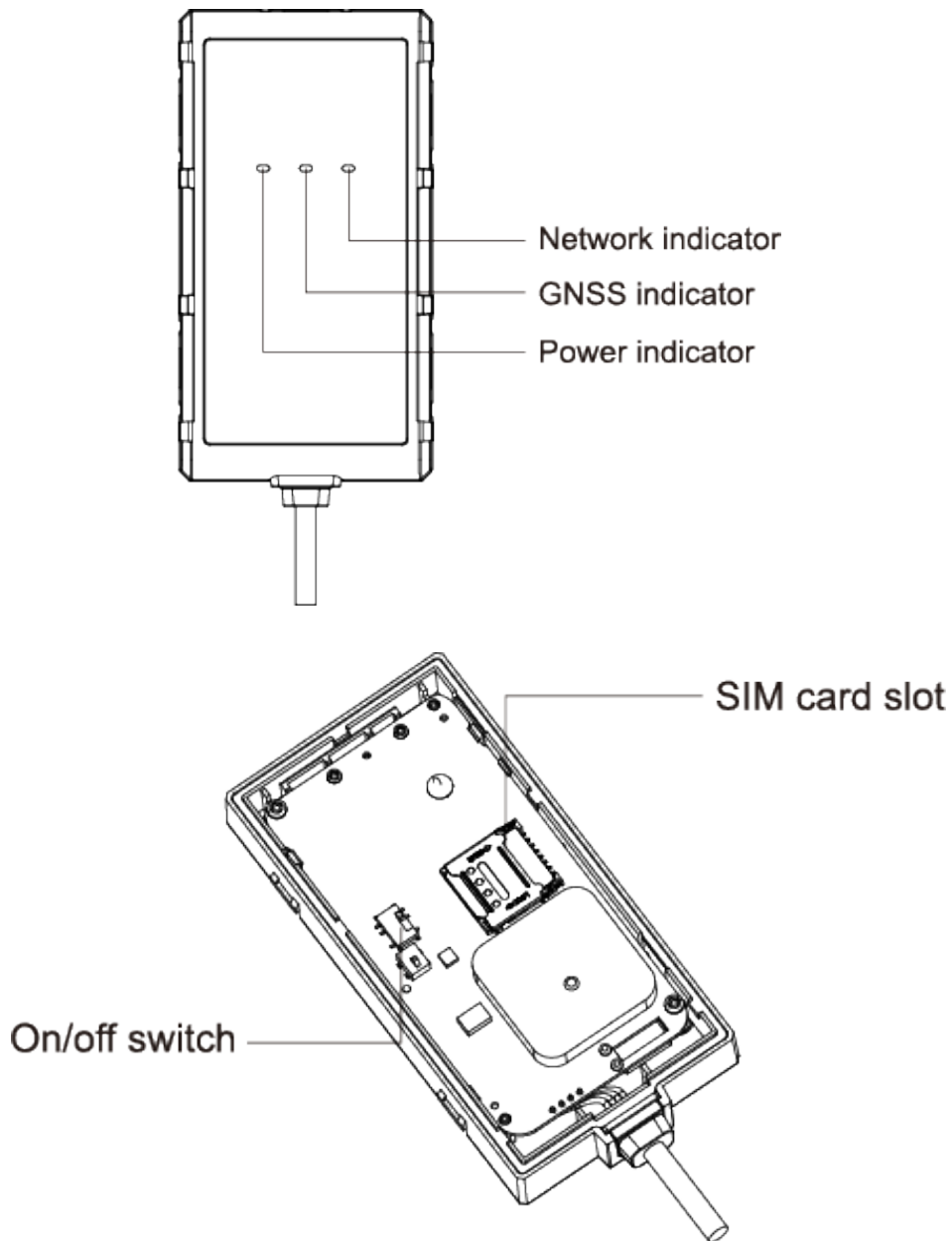
**1**  
Install  
Your Device

**2**  
Download  
Amber Connect  
App

**3**  
Activate  
The Device



## Product overview



- Real-time tracking
- Driving behavior analysis (4 types) Serial port (optional)
- Over-speed alert
- SOS alert
- Tamper alert
- Removal alert
- Power-supply-cut alert
- Low power alert
- Vibration alert
- Geo-fence

# Standard Parts List

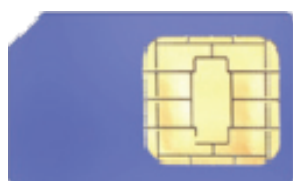
Item	Quantity
ACC410 device	1
Power cable (Length: 1 m)	1
Relay	Optional
Panic button	Optional

## Specification

Network	4G&2G
Frequency	JM-VL03E: FDD: B1/B3/B5/B7/B8/B20 TDD: B34/B38/B39/B40/B41 GSM: 900/1800 MHz
	JM-VL03A: LTE: B1/B3/B7/B8/B28 GSM: 850/900/1800/1900 MHz
	JM-VL03M: LTE: B2/B4/B5/B7/B12/B13 GSM: 850/900/1800/1900 MHz
Location accuracy	<10 meters CEP
Relay	Optional
TTF (open sky}	Avg. hot starts 1 sec Avg. cold starts 32sec
Indication	GPS (Blue), Cellular (Green), Power (Red}
Battery	60mAh, 3.7V Li-Polymer battery (270mAh/3.7V optional)
Operating voltage	9-90VDC
Operating temperature	-20°C to +70°C
Device dimension	94.3mm*50.4mm*15.0mm

## Product setup

1. Prepare a micro SIM card that supports the same network with this device



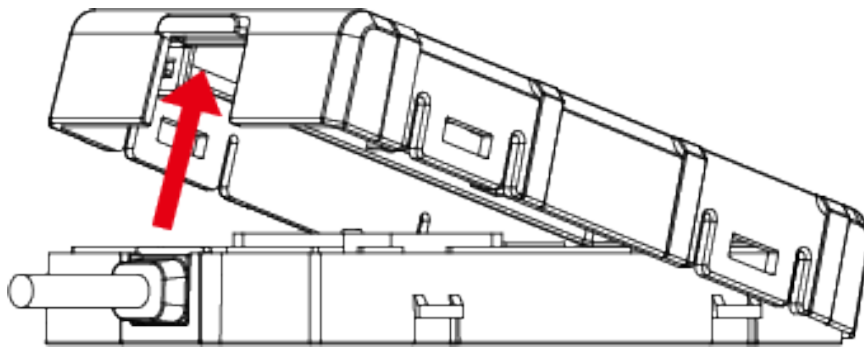
Micro



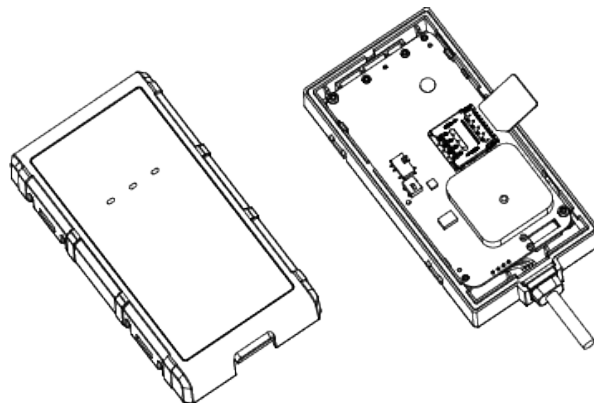
Nano



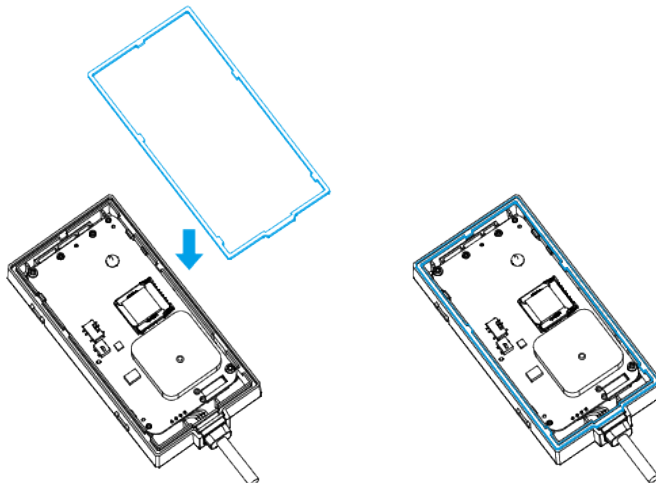
2. Remove the upper cover of device.



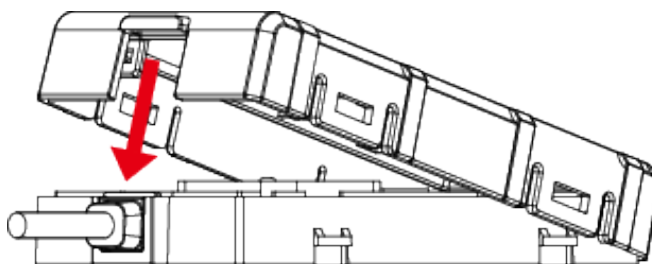
3. Insert SIM card into the slot and toggle the switch to **ON**



4. To ensure waterproof take effect, make sure the silicon rubber ring is installed in place.



5. Press the upper case down and make sure all 5 clips are completely in place



## LED indications

### Power Status (Red)

On for 0.3s and off for 0.3s	Low power
On for 1s and off for 3s	Fully charged
On for 0.1 s and off for 3s	Working normally
Solid on	Charging (Higher priority than the status of low power)
Off	Battery is exhausted/Internal failure

### GNSS Status (Blue)

On for 0.3s and off for 0.3s	Searching GNSS signal
Solid on	Positioned
Off	GNSS module is in sleep mode or not working

### Cellular Status (Green)

On for 0.3s and off for 0.3s	Network initializing
On for 1 s and off for 3s	Receiving signal normally
On for 0.1 s and off for 3s	Network connected
Solid on	Calling
Off	No signal received/No SIM card detected

### Power supply Status (Red, Blue, Green)

Red, Blue and Green on for 3s	Connected/disconnected power supply
-------------------------------	-------------------------------------

## Interfaces

### 6 Pin Standard Version

Interface	Color	Description
V+	Red	Power + (9-90V)
V-	Black	Power - Ground pin
ACC	Orange	Vehicle ignition detection
Relay	Yellow	Cut-off vehicle fuel supply
SOS+	Purple	SOS Trigger Pin
SOS-	White	SOS Ground Pin

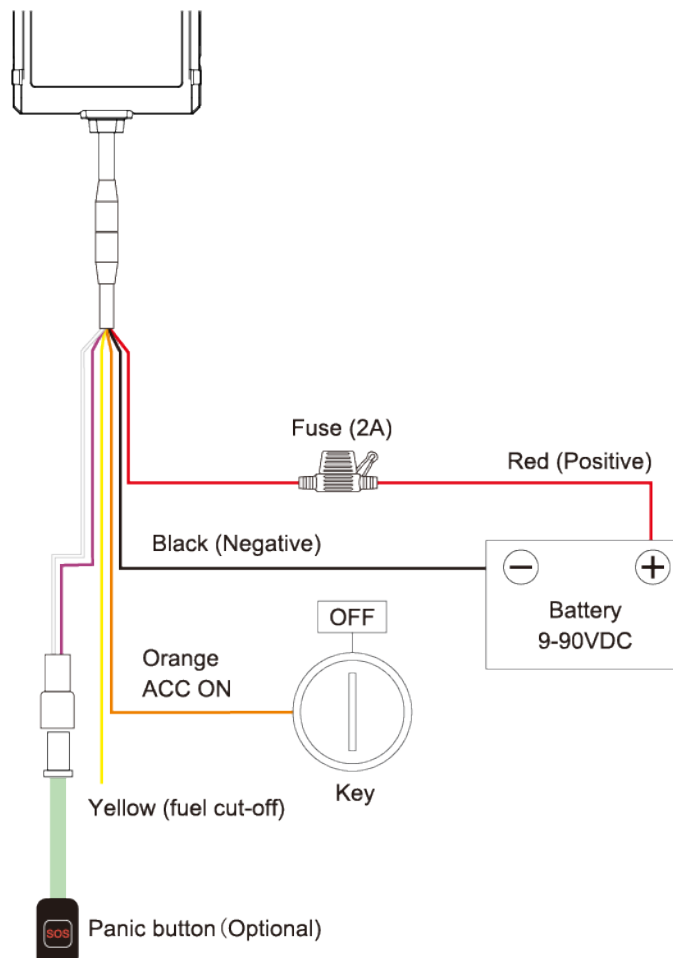
## 6 Pin RS485/TTL Version (Optional)

Interface	Color	Description
V+	Red	Power+ (9-90V)
V-	Black	Power - Ground Pin
Tx/RS485A	Blue	TTL Tx or RS485A
Rx/RS485 B	Green	TTL Rx or RS485 B
SOS+	Purple	SOS Trigger Pin
SOS-	White	SOS Ground Pin

## Wiring of Standard Version

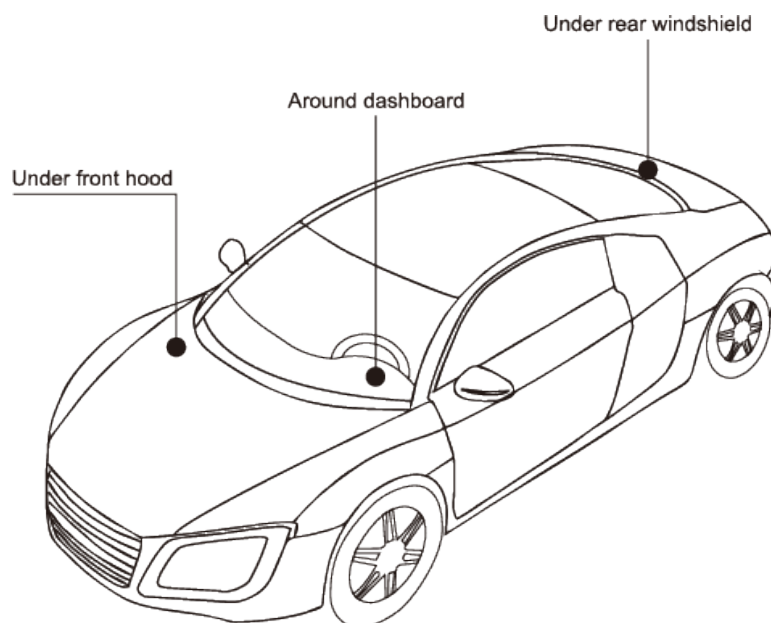
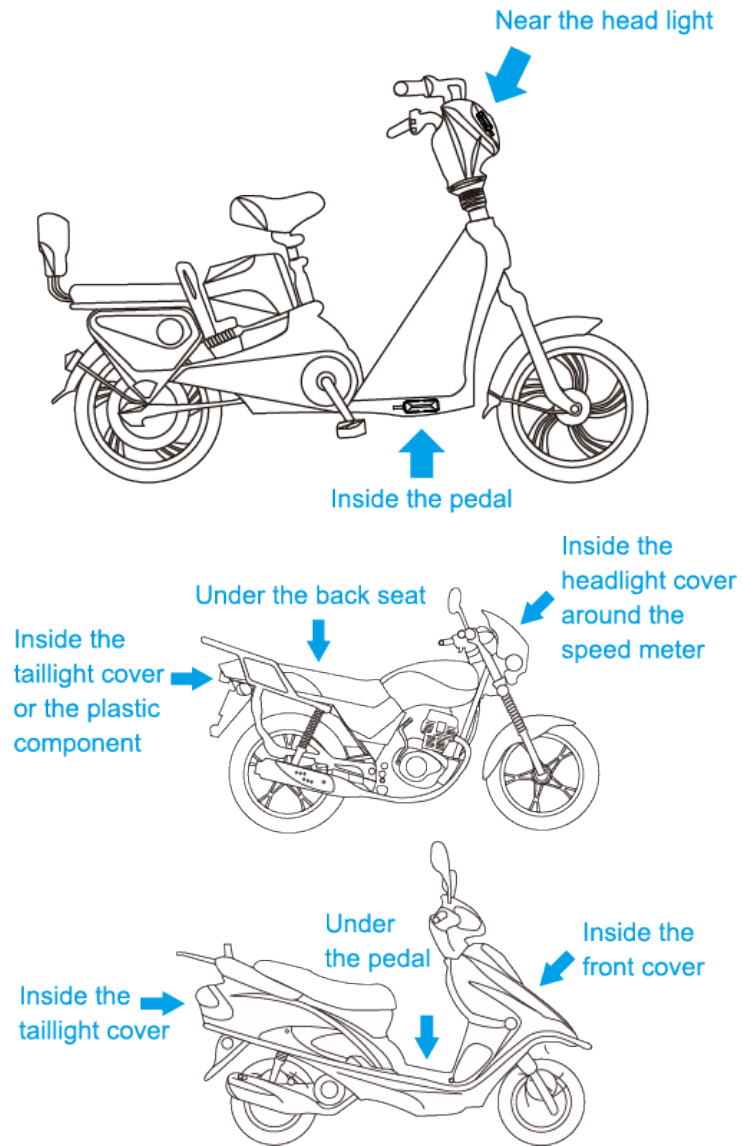
### Tips for finding right wires:

1. Use multi meter to find out the positive and negative sides of vehicle battery.  
Note: No matter the ignition key is switched to ON or OFF, current battery voltage can be shown in the multi meter.
2. The way to find ACC wire: Connect multi meter's black probe to negative side, and connect red probe to a random wire, at this moment, the voltage shown in multi meter is 0V; turn the key to ON, if the supply voltage is shown, that's the correct ACC wire.
3. Connect the two connectors together, if the vehicle has no connector, please connect device's wires to corresponding vehicle wires.



# Installation recommendation

Please install the device under the guidance of professional personnel.



## Note:

1. The device should face up to sky.
2. Metal thermal barrier or heating layer, which are always installed on windshield, may affect the signal, please avoid installing the device under these objects.

## Platform & APP

1. Login service platform Please login the designated service platform to set and operate the device.
2. Download APP Please download and install the APP in designated website, APP store or Google Play store.

## Troubleshooting

Type	Use
Unable to connect to tracking platform	Check the APN and IP settings. Check whether the data service of SIM card is enabled. Check the balance of SIM card.
Tracker shows offline	Check whether external power is still connected. Check if the vehicle entered network blind area. Check the balance of SIM card.
Unable to connect locate	Make sure the top side facing upward without metallic things shielded. Make sure it's not in area with no satellite coverage.
Location drift	In area with poor GNSS signal (tall building around or basement), drifting may happen. Check whether vibration happens around to trigger the accelerator.
No command reply	Make sure command format is correct. Vehicle may be in network blind area. Make sure SIM card is well inserted and has SMS service.

## Warranty instructions

1. The warranty is valid only when the warranty card is property completed, and upon presentation of the proof of purchase consisting of original invoice indicating the date of purchase, model and serial No. of the product. We reserve the right to refuse warranty if this information has been removed or changed after the original purchase of the product from the dealer.
2. Our obligations are limited to repair of the defect or replacement the defective part or at its discretion replacement of the product itself.
3. Warranty repairs must be carried out by our Authorized Service Centre. Warranty cover will be void, even if a repair has been attempted by any unauthorized service centre.
4. Repair or replacement under the terms of this warranty does not provide right to extension or renewal of the warranty period.
5. The warranty is not applicable to cases other than defects in material, design and workmanship





Need help? Contact 24/7 live support!



In App Chat



support@amberconnect.com



Chat via website [www.amberconnect.com](http://www.amberconnect.com)

Works with Android phones and tablets, iPhone, iPad.  
Compatible with Chrome, Mac and PC web browsers.



Amber Connect

Scan this QR code to download your App

©2022 Amber Connect Limited. All rights reserved